

Product data sheet

Specifications



discrete output module Modicon Premium - 8 O relay

TSXDSY08R5A

- ! Discontinued on: 31 December 2018
- ! To be end-of-service on: 31 December 2026

! Discontinued - Service only

Main

| | |
|---------------------------|--|
| Range of product | Modicon Premium Automation platform |
| Product or component type | Discrete output module |
| Discrete output number | 8 |
| Discrete output type | Relay protected |
| Discrete output voltage | 24...240 V AC conforming to EN/IEC 61131-2 20...264 V 24...48 V DC conforming to EN/IEC 61131-2 19...60 V |

Complementary

| | |
|--|---|
| [I _{th}] conventional free air thermal current | 5 A |
| Response time | < 10 ms (activation) < 15 ms (deactivation) |
| Contacts type and composition | 2 x 2 C/O + 2 x 2 NO |
| Output overvoltage protection | RC circuit and Ge-Mov |
| Output overload protection | 6.3 A, interchangeable fuse per common fast blow |
| Short-circuit protection | 6.3 A, interchangeable fuse per common fast blow |
| Isolation resistance | > 10 MOhm 500 V |
| Power dissipation | (0.25 W + 0.24 W x No of outputs at state 1) |
| Electrical durability | 1000000 cycles DC-12 24 W 24 V resistive 1000000 cycles DC-12 50 W 48 V resistive 1000000 cycles DC-3 24 W 24 V inductive 1000000 cycles DC-3 50 W 48 V inductive 2000000 cycles DC-3 10 W 24 V inductive 2000000 cycles DC-3 24 W 48 V inductive 300000 cycles DC-12 100 W 48 V resistive 300000 cycles DC-12 50 W 24 V resistive 100000 cycles AC-14 440 VA 220...240 V inductive 100000 cycles AC-15 440 VA 220...240 V inductive 1000000 cycles AC-12 100 VA 48 V resistive 1000000 cycles AC-12 220 VA 100...120 V resistive 1000000 cycles AC-12 440 VA 220...240 V resistive 1000000 cycles AC-14 220 VA 220...240 V inductive 1000000 cycles AC-15 220 VA 220...240 V inductive 10000000 cycles AC-14 20 VA 100...120 V inductive 10000000 cycles AC-15 20 VA 100...120 V inductive 10000000 cycles AC-15 20 VA 220...240 V inductive 150000 cycles AC-14 220 VA 100...120 V inductive 150000 cycles AC-15 220 VA 100...120 V inductive 1500000 cycles AC-14 110 VA 100...120 V inductive 1500000 cycles AC-15 110 VA 100...120 V inductive 2000000 cycles AC-14 50 VA 48 V inductive 2000000 cycles AC-15 50 VA 48 V inductive 3000000 cycles AC-14 110 VA 220...240 V inductive |

3000000 cycles AC-15 110 VA 220...240 V inductive
 500000 cycles AC-12 200 VA 48 V resistive
 500000 cycles AC-12 440 VA 100...120 V resistive
 500000 cycles AC-14 50 VA 24 V inductive
 500000 cycles AC-15 50 VA 24 V inductive
 5000000 cycles AC-14 20 VA 48 V inductive
 5000000 cycles AC-15 20 VA 48 V inductive
 700000 cycles AC-12 100 VA 24 V resistive

| | |
|------------------------------|--|
| Marking | CE |
| Electrical connection | Screw terminal block |
| Current consumption | 55 mA at 5 V DC 80 mA at 24 V DC rack |
| Module format | Standard |
| Net weight | 0.42 kg |

Environment

| | |
|--|--|
| Dielectric strength | 2000 V 50/60 Hz 60 s |
| Standards | CSA C22.2 No 213 Class I Division 2 Group D 73/23/EEC 93/68/EEC CSA C22.2 No 213 Class I Division 2 Group A 92/31/EEC 89/336/EEC CSA C22.2 No 213 Class I Division 2 Group B CSA C22.2 No 142 IEC 61131-2 UL 508 CSA C22.2 No 213 Class I Division 2 Group C |
| Product certifications | DNV LR ABS BV RMRS GL RINA |
| Ambient air temperature for operation | 0...60 °C |
| Ambient air temperature for storage | -25...70 °C |
| Relative humidity | 10...95 % without condensation for operation 5...95 % without condensation for storage |
| Operating altitude | 0...2000 m |
| Protective treatment | TC |
| IP degree of protection | IP20 |
| Pollution degree | 2 |

Packing Units

| | |
|-------------------------------------|---------|
| Unit Type of Package 1 | PCE |
| Number of Units in Package 1 | 1 |
| Package 1 Height | 5.5 cm |
| Package 1 Width | 18.0 cm |
| Package 1 Length | 26.0 cm |
| Package 1 Weight | 554.0 g |
| Unit Type of Package 2 | S03 |
| Number of Units in Package 2 | 8 |
| Package 2 Height | 30.0 cm |
| Package 2 Width | 30.0 cm |
| Package 2 Length | 40.0 cm |

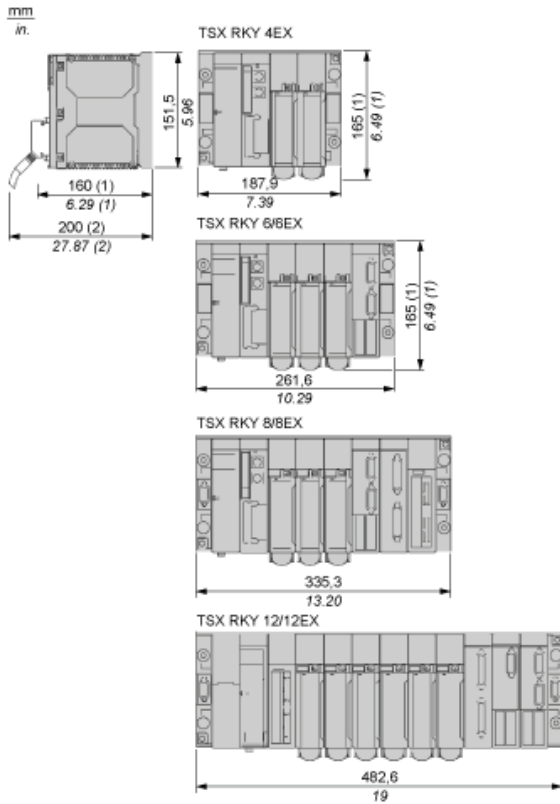
Package 2 Weight 4.432 kg

Contractual warranty

Warranty 18 months

Standard and Extendable Racks for Modules Mounting

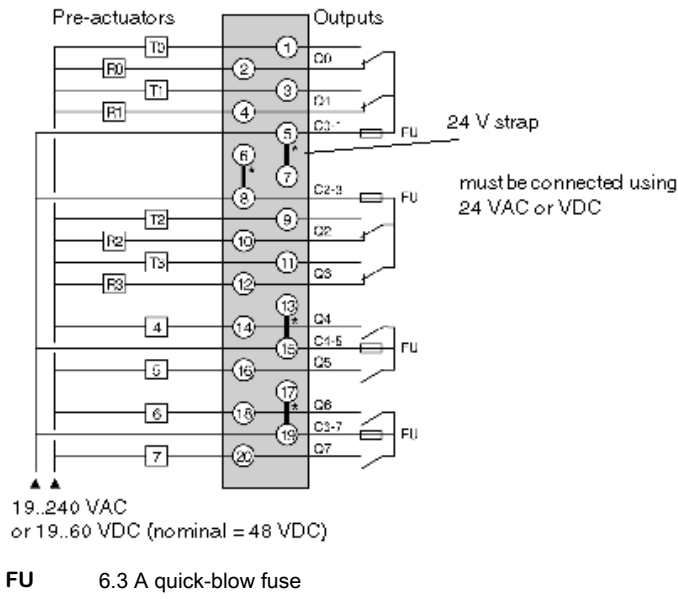
Dimensions of Modules and Racks



- (1) With screw terminal block modules.
- (2) Maximum depth for all types of modules and their associated connectors.

Discrete Relay Output 8-Channel Module for 5 A Thermal Current

Wiring Diagram



Recommended replacement(s)